

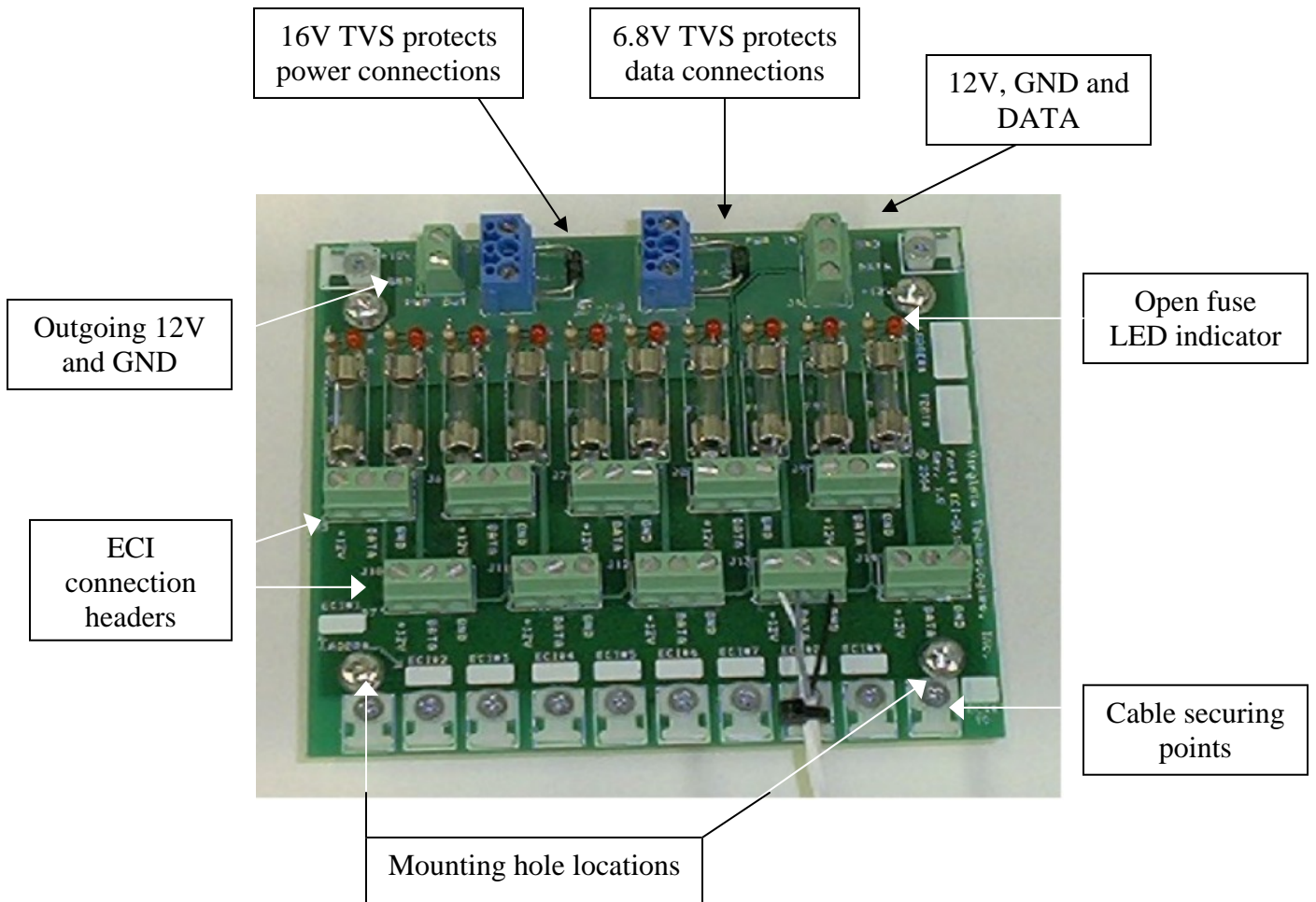


NetCon-10™

Network Connection Module

Features:

- Easily connects up to 10 Embedded Corrosion Instruments (ECI) to one SDI-12 compatible data logger port.
- Provides isolated fuse protection to each ECI.
- LED status indicators provide visual indication of open fuses.
- Replaceable transient voltage suppressors (TVS) protect the ECI instruments from damaging voltage spikes on power and data lines.
- Built-in wire tie anchors facilitate strain relief and cable organization
- Space is provided to indicate data logger and instrument specific information.
- The NETCON-10™ has input and output power connections to enable the cascading of multiple boards.
- Each unit is shipped with 5 spare fuses and 2 spare TVS's.



Description:

The NETCON-10™ is a 10-channel interface allowing the user to connect up to 10 ECI's to each SDI-12 port of a data logger while holding cable count and cable runs to a minimum. Each channel on the NETCON-10™ provides a connection point for the data, power and ground connections needed by all ECI's on the network.

A fast-acting fuse is incorporated into each channel. If a fuse blows, its corresponding LED illuminates. The NETCON-10™ provides a central point to facilitate troubleshooting.

Bi-Directional Transient Voltage Suppressors protect the power and data connections to all attached ECI's. These voltage suppressors are easily replaceable.

Mounting holes on the NETCON-10™ are positioned for easy attachment within Campbell Scientific NEMA enclosures. (Note: Stand-offs should be used to provide clearance under board.)

Pricing:

Standard Kit: Suggested retail price \$495 USD, plus shipping.

Includes:

- 1 NETCON-10™ (comes fully populated with fuses and TVS's)
- 20 Wire Ties
- 1 Replacement Parts Kit

Replacement Parts Kit: Suggested retail price \$30 USD, plus shipping.

Includes:

- 5 Fuses
- 2 TVS's (1 of each value)

Physical Properties:

Board Dimensions: 120.5mm x 108mm

Mounting hole spacing: 101.5mm x 76mm